

KHB KHM系列螺纹式液压球阀 (国际标准)

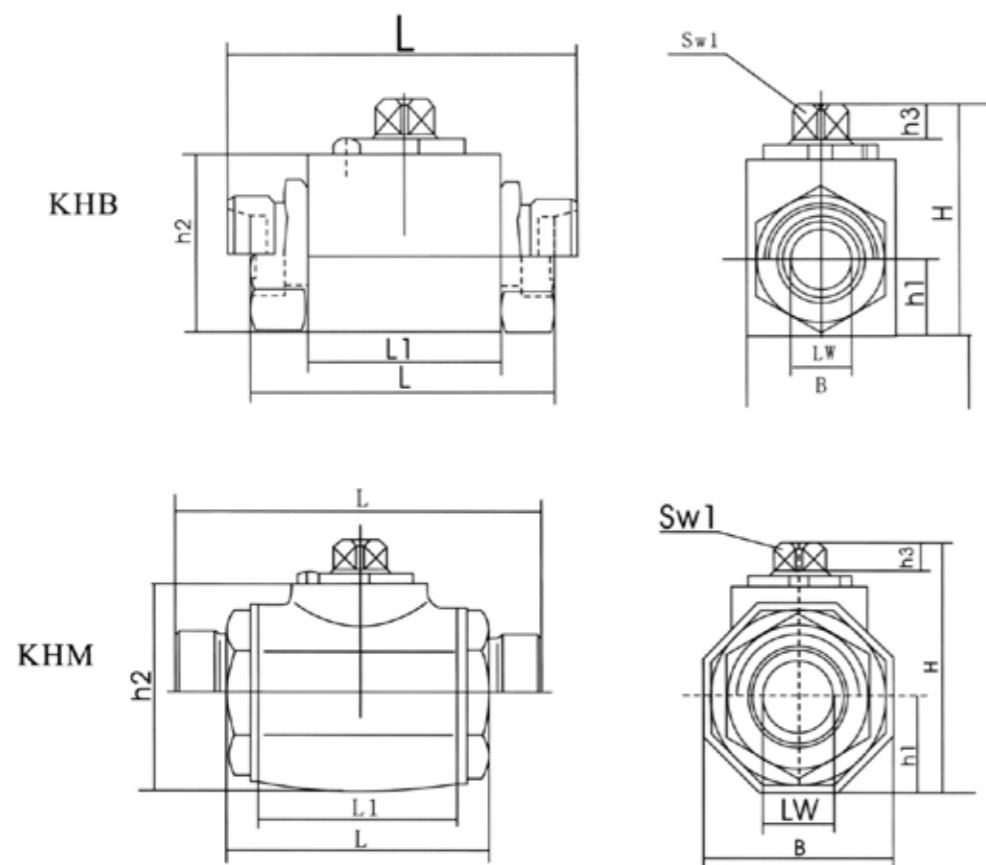
1 型号说明

KHB - G1/2 - 1 1 1 2 - 01 - *
(1) (1) (3) (4) (5) (6) (7) (8)

- 1、产品代号: KHB系列; KHM系列
- 2、螺纹规格或者管子外径: M**, G**, NPT**, **LR,**SR
- 3、阀体材料: 1-碳钢; 2-不锈钢
- 4、球体材料: 1-合金钢; 3-不锈钢
- 5、工作温度: 1: -25°C~+100°C; 2: -30°C~+170°C
- 6、密封材料: 2-丁腈橡胶; 4-氟橡胶
- 7、表面处理: 空白-磷化; G-电镀黄锌



2 外形尺寸



连接形式	型号	DN	LW	RA	d1	l	L	L1	B	H	h1	h2	h3	Sw1	Sw2
符合JB984-77标准外螺纹 	KHB-M12x1.5	04	04	8	M12x1.25	10	61	35	30	48	13	30	8	7	19
	KHB-M16x1.5	06	06	11	M16x1.5	11	69	35	30	48	13	30	8	7	19
	KHB-M22x1.5	08	08	16	M22x1.5	12	76	42	35	53	17	40	8	9	27
	KHB-M27x1.5	10	10	20	M27x1.5	12	76	42	35	53	17	40	8	9	27
	KHB-M30x1.5	16	15	24	M30x1.5	13	84	47	38	62	19	45	11	9	32
	KHB-M36x2	20	19	30	M36x2	15	103	60	48	75	24.5	55	11	12	41
	KHB-M42x2	25	24	35	M42x2	18	116	65	57	82	28.5	64	11	12	50
	KHM-M52x2	32	30	40	M52x2	20	149	84	75	102.7	37.5	84.2	12	17	60
	KHM-M60x2	40	36	50	M60x2	22	174	91	85	113.7	42.5	95.2	12	17	70
		KHB-G1/8	04	06	-	G1/8	10	69	35	30	48	13	30	8	7
KHB-G1/4		06	06	-	G1/4	14	69	35	30	48	13	30	8	7	22
KHB-G3/8		10	10	-	G3/8	14	72	42	35	53	17	40	8	9	27
KHB-G1/2		16	15	-	G1/2	16	83	41	38	62	19	45	11	9	32
KHB-G3/4		20	20	-	G3/4	18	95	60	48	75	24.5	55	11	12	41
KHB-G1		25	25	-	G1	20.5	113	65	57	82	28.5	64	11	12	50
KHM-G11/4		32	30	-	G11/4	22	110	84	75	102	37.5	84.2	12	17	60
KHM-G11/2		40	38	-	G11/2	24	130	91	85	113.7	42.5	95.2	12	17	70
KHM-G2		50	48	-	G2	26	140	100	105	131.2	52.5	112.7	12	17	80
		KHB-NPT1/8	04	06	-	NPT1/8	10	69	35	30	48	13	30	8	7
	KHB-NPT1/4	06	06	-	NPT1/4	14	69	35	30	48	13	30	8	7	22
	KHB-NPT3/8	10	10	-	NPT3/8	14	72	42	35	53	17	40	8	9	27
	KHB-NPT1/2	16	15	-	NPT1/2	16	83	41	38	62	19	45	11	9	32
	KHB-NPT3/4	20	20	-	NPT3/4	18	95	60	48	75	24.5	55	11	12	41
	KHB-NPT1	25	25	-	NPT1	20.5	113	65	57	82	28.5	64	11	12	50
	KHM-NPT11/4	32	30	-	NPT11/4	22	110	84	75	102.7	37.5	84.2	12	17	60
	KHM-NPT11/2	40	38	-	NPT11/2	24	130	91	85	113.7	42.5	95.2	12	17	70
	KHM-NPT2	50	48	-	NPT2	26	140	100	105	131.2	52.5	112.7	12	17	80
		KHB-06LR	04	04	06	M12x1.5	10	67	35	30	48	13	30	8	7
KHB-08LR		06	06	08	M14x1.5	10	67	35	30	48	13	30	8	7	19
KHB-10LR		08	08	10	M16x1.5	11	74	42	35	53	17	40	8	7	27
KHB-12LR		10	10	12	M18x1.5	11	74	42	35	53	17	40	8	9	27
KHB-15LR		12	12	15	M22x1.5	12	82	47	38	62	19	45	11	9	32
KHB-18LR		16	15	18	M26x1.5	12	82	47	38	62	19	45	11	9	32
KHB-22LR		20	19	22	M30x2	14	101	60	48	75	24.5	55	11	12	41
KHB-28LR		25	24	28	M36x2	14	108	65	57	82	28.5	64	11	12	50
KHB-35LR		32	30	35	M45x2	16	141	84	75	102.7	37.5	84.2	12	17	60
KHB-42LR		40	36	42	M52x2	16	162	91	85	113.7	42.5	95.2	12	17	70
	KHB-08SR	04	05	08	M16x1.5	12	73	35	30	48	13	30	8	7	19
	KHB-10SR	06	06	10	M18x1.5	12	73	35	30	48	13	30	8	7	19
	KHB-12SR	08	08	12	M20x1.5	12	76	42	35	53	17	40	8	9	27
	KHB-14SR	10	10	14	M22x1.5	14	80	42	35	53	17	40	8	9	27
	KHB-16SR	12	12	16	M24x1.5	14	86	47	38	62	19	45	11	9	32
	KHB-20SR	16	15	20	M30x2	16	90	47	38	62	19	45	11	9	32
	KHB-25SR	20	20	25	M36x2	18	109	60	48	75	24.5	55	11	12	41
	KHB-30SR	25	25	30	M42x2	20	120	65	57	82	28.5	64	11	12	50
	KHM-38SR	32	30	38	M52x2	22	153	84	75	102.7	37.5	84.2	12	17	60